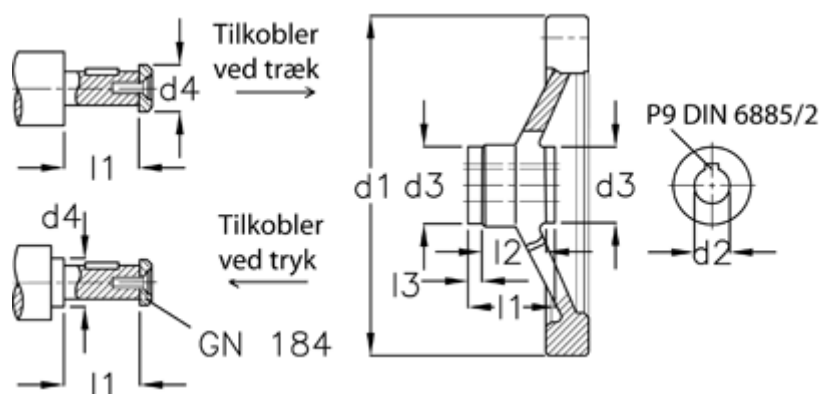


Article number: 20368314

Description: E+G Handwheel
GN 321.4-160-K14-A-ZI

Measures



$d1$	= 160
$d2$ H7	= 14
$d3$	= 32
$d4$ max	= 21
$l1$	= 32.5
$l2$	= 20
$l3$	= 6